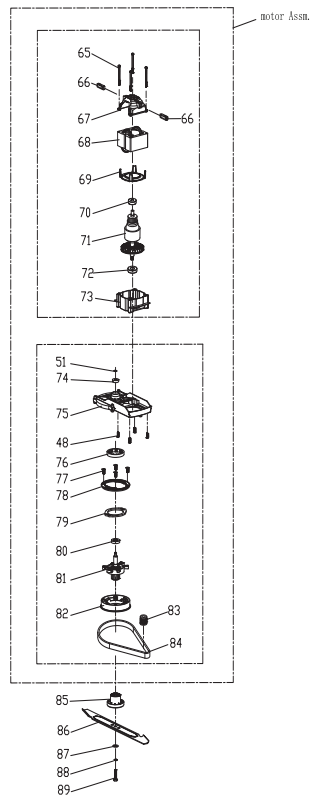
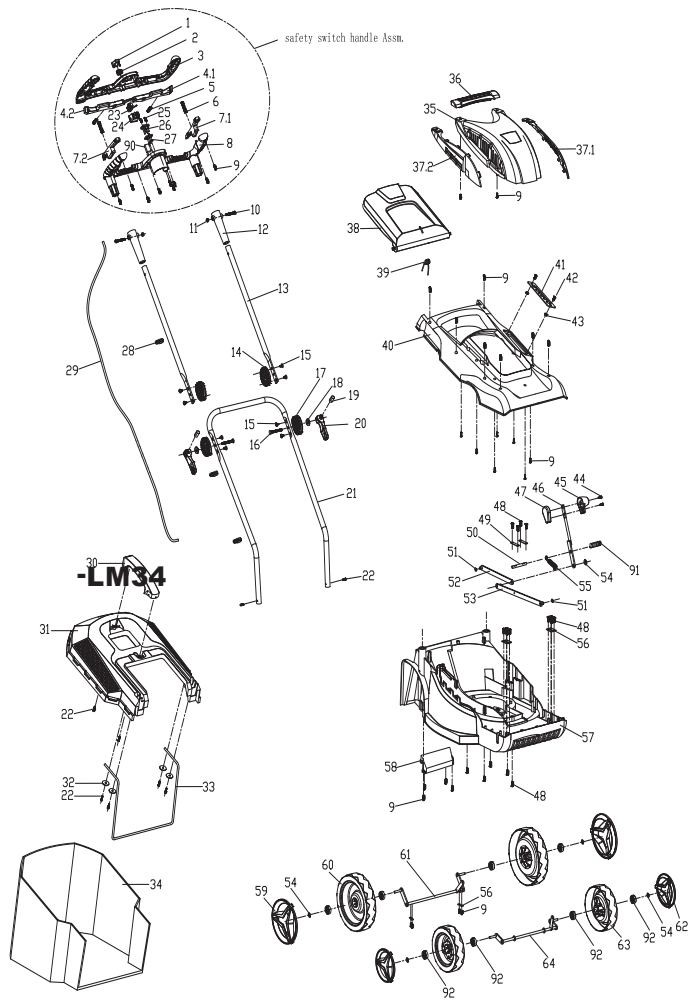


EXPLODED VIEW OF GRASS TRIMMER RD



-LM34

| SAFETY SWITCH HANDLE PART | | | | |
|---------------------------|---------------------------------|-------------------|-----|----|
| 1 | Safety switch button | | pcs | 1 |
| 2 | compression spring | | pcs | 1 |
| 3 | switch armrest (top) | | pcs | 1 |
| 4.1 | switch button (left crosswise) | | pcs | 1 |
| 4.2 | switch button (right crosswise) | | pcs | 1 |
| 5 | compression spring | | pcs | 2 |
| 6 | compression spring | | pcs | 2 |
| 7.1 | switch button (left vertical) | | pcs | 1 |
| 7.2 | switch button (right vertical) | | pcs | 1 |
| 8 | switch armrest (underside) | | pcs | 1 |
| 9 | Screw | ST4x16, flat end | pcs | 33 |
| 23 | locking piece | | pcs | 1 |
| 24 | switch | 12A, 250V AC | pcs | 1 |
| 25 | screw | ST3x12, sharp end | pcs | 2 |
| 26 | clamp for plug pin Ass' | | pcs | 1 |
| 27 | plug pin Ass' | | pcs | 1 |
| 90 | capacitor | 0.33uF | pcs | 1 |
| 2000W motor part | | | | |
| 65 | screw | ST4x62 | pcs | 4 |
| 66 | carbon brush Ass' | | pcs | 2 |
| 67 | rear base of motor | | pcs | 1 |
| 68 | fielding Ass' | AC, 230V | pcs | 1 |
| 69 | buffle | | pcs | 1 |
| 70 | ball-bearing | 608RS | pcs | 1 |
| 71 | armature Ass' | AC, 230V | pcs | 1 |
| 72 | ball-bearing | 6000RS | pcs | 1 |
| 73 | front base of motor | | pcs | 1 |
| 74 | ball-bearing | 628RS | pcs | 1 |
| 75 | bracket of motor | | pcs | 1 |
| 76 | friction ring | | pcs | 1 |
| 77 | screw | ST4x16, sunk head | pcs | 4 |
| 78 | round plate | | pcs | 1 |
| 79 | brake plate | | pcs | 2 |
| 80 | ball-bearing | 6002RS | pcs | 1 |
| 81 | output shaft | | pcs | 1 |
| 82 | driven belt pulley | | pcs | 1 |
| 83 | follow belt pulley | | pcs | 1 |
| 84 | V belt | 7PJ451 | pcs | 1 |

| Others | | | | |
|--------|--------------------------|-------------------------|-----|----|
| 10 | bolt | M6X42, flat end | pcs | 2 |
| 11 | nut | M6 | pcs | 2 |
| 12 | Plastic sleeve | | pcs | 2 |
| 13 | upper handle bar | | pcs | 2 |
| 14 | clutch 1 | | pcs | 2 |
| 15 | screw | ST4x10 | pcs | 8 |
| 16 | bolt | rectangular neck, M6x50 | pcs | 2 |
| 17 | clutch 2 | | pcs | 2 |
| 18 | washer | Dia25xDia6x2 | pcs | 2 |
| 19 | lock pin | | pcs | 2 |
| 20 | quick lock button | | pcs | 2 |
| 21 | lower handle bar | | pcs | 1 |
| 22 | screw | ST4x16, sharp end | pcs | 4 |
| 28 | cord clip | | pcs | 3 |
| 29 | cord | | pcs | 1 |
| 30 | handle | for grass catcher | pcs | 1 |
| 31 | cover of grass catcher | | pcs | 1 |
| 32 | flat washer | φ4xφ20x1.5 | pcs | 4 |
| 33 | bracket of grass catcher | | pcs | 1 |
| 34 | grass catcher bag | | pcs | 1 |
| 35 | top cover | | pcs | 1 |
| 36 | transportation handle | | pcs | 1 |
| 37.1 | decorative part (left) | | pcs | 1 |
| 37.2 | decorative part (right) | | pcs | 1 |
| 38 | deflector guard | | pcs | 1 |
| 39 | torsion spring | | pcs | 1 |
| 40 | upper cover | | pcs | 1 |
| 41 | plate | | pcs | 1 |
| 42 | screw | sunk head, M5x15 | pcs | 2 |
| 43 | Nut | M5, anti-loosen | pcs | 2 |
| 44 | screw | ST4x12 | pcs | 2 |
| 45 | grip housing | | pcs | 1 |
| 46 | shift lever | | pcs | 1 |
| 47 | grip cover | | pcs | 1 |
| 48 | screw | flange, ST5x18 | pcs | 21 |
| 49 | shaft clamp 1 | | pcs | 2 |
| 50 | pin | φ8x65 | pcs | 1 |
| 51 | C ring | φ8 | pcs | 3 |
| 52 | rear lever | for 160/240 wheels | pcs | 1 |
| 53 | front lever | for 160/240 wheels | pcs | 1 |
| 54 | washer | inner lock tooth | pcs | 5 |
| 55 | pull spring | | pcs | 1 |
| 56 | shaft clamp 2 | | pcs | 6 |
| 57 | deck | | pcs | 1 |
| 58 | deflector plate | | pcs | 1 |
| 59 | wheel cover 1 | for wheel φ240mm | pcs | 2 |
| 60 | wheel 1 | φ240mm | pcs | 2 |
| 61 | rear wheel shaft | | pcs | 1 |
| 62 | wheel cover 2 | for wheel φ160mm | pcs | 2 |
| 63 | wheel 2 | φ160mm | pcs | 2 |
| 64 | front wheel shaft | | pcs | 1 |
| 85 | blade locator | | pcs | 1 |
| 86 | blade | | pcs | 1 |
| 87 | flat washer | φ8xφ16x1 | pcs | 1 |
| 88 | spring washer | φ8 | pcs | 1 |
| 89 | bolt | outer hex, M8x1.25x30 | pcs | 1 |
| 91 | compression spring | | pcs | 1 |
| 92 | shaft sleeve | | pcs | 8 |